



Swagelok GB Series General Service Ball Valve

A Full-Flow Valve For Your Toughest Environments

Performance up to 6000 psi (413 bar)
Installation and design flexibility
Corrosion resistance and compatibility



If you are tasked with reducing costs while maintaining performance, reliability, and safety in your critical fluid systems, the GB series ball valve from Swagelok is for you. Designed to reduce installation, maintenance, and inventory costs while meeting pressure and flow specifications, this full-flow valve delivers the performance and quality you've come to expect from Swagelok products.

Compatible with your applications

GB series ball valves are designed to perform in harsh environments and in applications with aggressive media, and there are a variety of available material and construction options that allow design engineers to achieve the compatibility and longevity required. The GB series comes standard in the Swagelok dual-certified 316/316L stainless steel material, and the following alloy materials are also available: 6-Moly, Alloy 2507, Alloy 625, Alloy 825, and Alloy C-276. With PEEK seats and seals, the GB valve is compatible with a variety of system media.

The GB series valve design aligns with most customer specifications, reducing procurement and inventory costs. It can be configured for sour gas service with materials of construction selected in accordance to NACE MR0175/ISO 15156. All GB series ball valves are backed by the Swagelok Limited Lifetime Warranty.



Optimized for safety and reliability

Designed to withstand proof testing of up to 1.5 times the maximum rated pressure, the GB series is configured in either a two- or three-piece construction, with a crimped, mechanically locked end screw design to avoid accidental disassembly and increase safety. Available integral Swagelok tube fitting end connections reduce both the number of potential leak points and the risk of improper assembly.

Easy to install, easy to configure

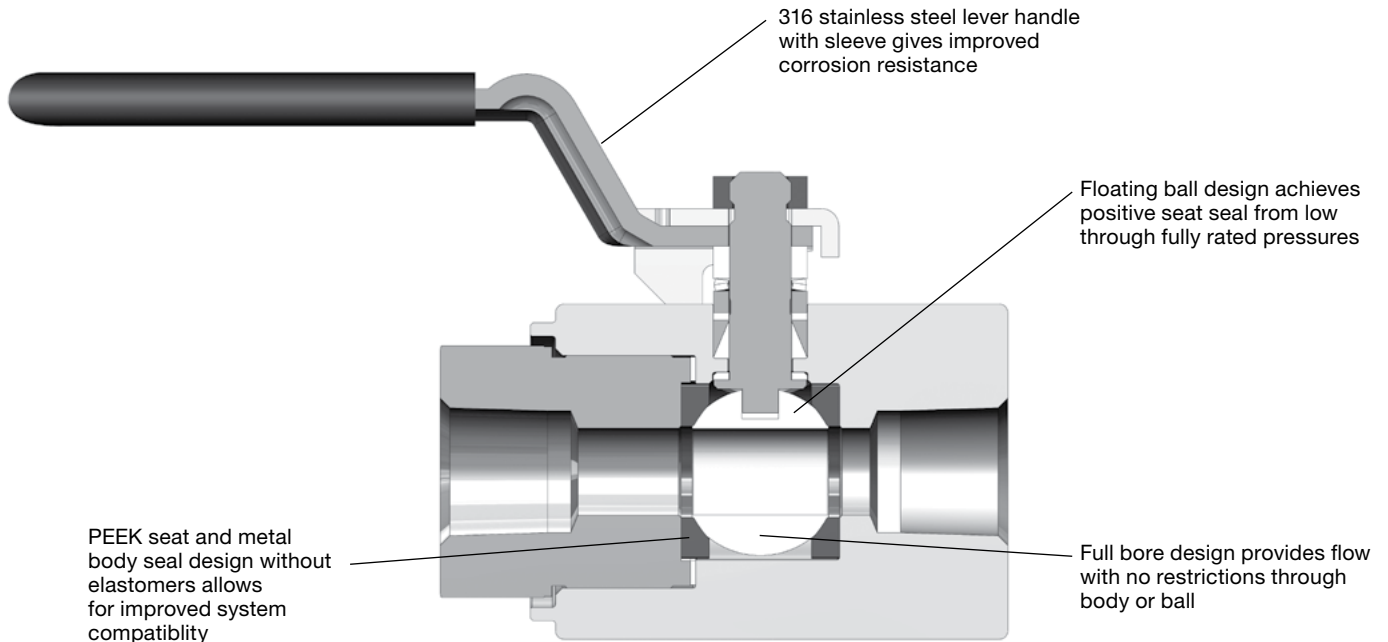
GB series ball valves feature a standardized design and a variety of configuration options to reduce inventory requirements while maintaining ease of installation and use.

- Integral Swagelok end connections help minimize costs related to purchasing, installing, and testing additional fittings while creating consistency with existing systems
- The bolt pattern enables connection of an optional lockout handle, panel mount kit, or an ISO 5211 pneumatic actuator
- Bidirectional flow and shutoff capabilities simplify installation by removing the potential for incorrect valve orientation during assembly

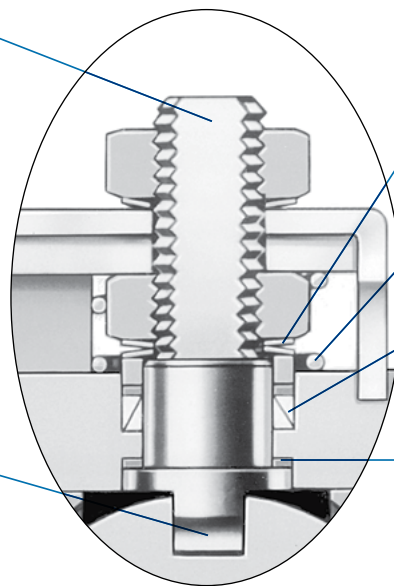
Working Pressure	Up to 6000 psi (413 bar)
Temperature Rating	-40°F to 250°F (-40°C to 121°C)
Seats and Stem Seals	PEEK
End Connection Types	Swagelok Tube Fitting, Female NPT, Swagelok FK Medium-Pressure, Female ISO/BSP, Female SAE
End Connection Sizes	3/8 in. to 1 in. (12 mm to 25 mm)



Swagelok GB Series General Service Ball Valve



Directional stem flats
show open or closed position



Stem springs
compensate for changes in pressure, temperature, and wear

Grounding spring
grounds stem to provide continuity for antistatic protection

Live-loaded, 2-piece chevron stem packing

- Requires less operating torque
- Improves performance
- Compensates for stem wear

Bottom-loaded stem

- Prevents stem blowout
- Enhances system safety

PEEK stem bearing

- Provides smooth actuation
- Eliminates galling between valve stem and body
- Resists wear

For more information contact us:

Swagelok North Carolina | East Tennessee
<http://nctn.swagelok.com> - info@nctn.swagelok.com

Raleigh, NC
919.878.8085

Charlotte, NC
704.289.7400

Knoxville, TN
865.673.6610