

Technical Data

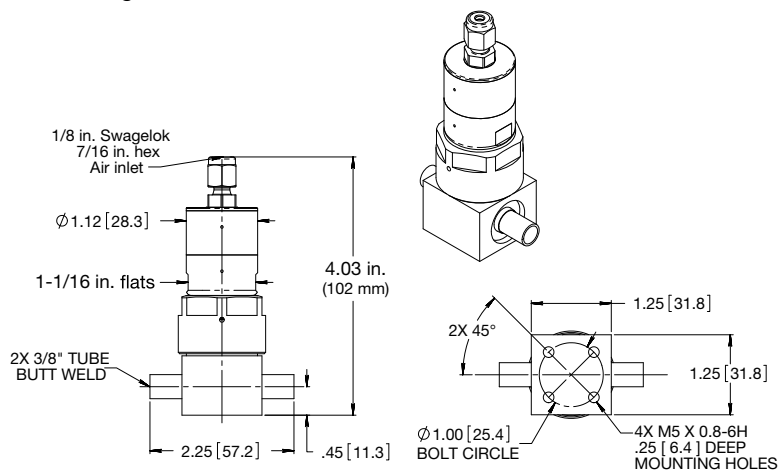
Working Pressure	Vacuum to 70 psig (4.8 bar)
Burst Pressure	> 3200 psig (220 bar)
Actuation Pressure	60 to 90 psig (4.1 to 6.2 bar)
Temperature	20 to 220°C (70 to 428°F)
Flow Coefficient (Cv) “H” type VCR® connections	0.60 at 20°C (70°F); 0.40 at 220°C (428°F)
VCR and all other connections	0.30 at 20°C (70°F); 0.21 at 220°C (428°F)
Modular surface-mount body	0.25 at 20°C (70°F); 0.21 at 220°C (428°F)
Body Material	316L VIM-VAR stainless steel
Diaphragm Material	Cobalt-based superalloy

End Connections

Type	VCR® and “H” type VCR metal gasket face seal fittings, tube butt weld; modular surface mount (MSM)
Size	1/4 and 3/8 in. 1.125 and 1.5 in. MSM

Dimensions

Dimensions, in inches (millimeters), are for reference only. Dimensions shown are for ordering number 6LVV-DH6BW6-P-C-29938.



Ordering Information

Ordering numbers are dependent on the configuration requested. Discuss your system needs with your authorized Swagelok sales and service representative to determine the correct ordering information.

Process Specifications

Ultrahigh-purity, P process: Ultrahigh-Purity Process Specification (SC-01)

Ultrahigh-purity cleaning with a continuously monitored, deionized water, ultrasonic cleaning system

Performed in ISO Class 4 work areas; valves are double bagged and vacuum sealed in cleanroom bags

Wetted surface roughness (R_a): electropolished and finished to an average of 5 $\mu\text{in.}$ (0.13 μm)

Testing

1×10^{-9} std cm³/s envelope leak rate

1×10^{-6} std cm³/s seat leak rate at 220°C (428°F)

Configurations

Valve with Modular Surface-Mount Platform

Two-port straight and elbow configurations

2-Port Valve

Two-, three-, and four-port and multivalve manifolds

Multiport/Manifold

Two- and three-port modular surface mount in 1.125 and 1.5 in. platforms

Additional configurations available on request

Warranty Information

Swagelok products are backed by The Swagelok Limited Lifetime Warranty. For a copy, visit swagelok.com or contact your authorized Swagelok sales and service representative.

Safe Product Selection

When selecting a product, the total system design must be considered to ensure safe, trouble-free performance. Function, material compatibility, adequate ratings, proper installation, operation, and maintenance are the responsibilities of the system designer and user.

For more information, contact Ron Player at 704.564.5835 or ron.player@swagelok.com.

Swagelok North Carolina | East Tennessee
info@nctn.swagelok.com - <http://nctn.swagelok.com>

Raleigh, North Carolina
919.878.8085

Charlotte, North Carolina
704.289.7400

Knoxville, Tennessee
865.673.6610

